

INSTALLATION INSTRUCTIONS

BATTERY HEATING WRAP

Hotstart Manufacturing, Inc. is the owner of all trademarks and copyrightable material contained herein; all rights are reserved; no form of reproduction is authorized without prior written consent from Hotstart Manufacturing, Inc.

BATTERY WRAPS

CAUTION

Electrical hazard: Disconnect battery before installation. Power source must be properly grounded and in accordance with national and local electrical codes. Do not connect wrap to power source prior to installation.

Personal injury: To avoid possible electrical or fire hazard, inspect plug and exposed cord for wear or damage prior to each use. Disconnect heater prior to performing service.

NOTICE

Overheating hazard: If battery is enclosed in an insulated battery case, a wrap with thermostat is recommended to prevent battery overheating. Excessive overlap or an obstructed thermostat may cause overheating. Overheating may damage battery or shorten battery life.

Battery damage: Battery wrap heaters are not recommended for nickel cadmium batteries.

Enclosure clearance: If placed inside a case or box, HOTSTART recommends a minimum clearance of 1.5 inches (38mm) between battery and enclosure wall.

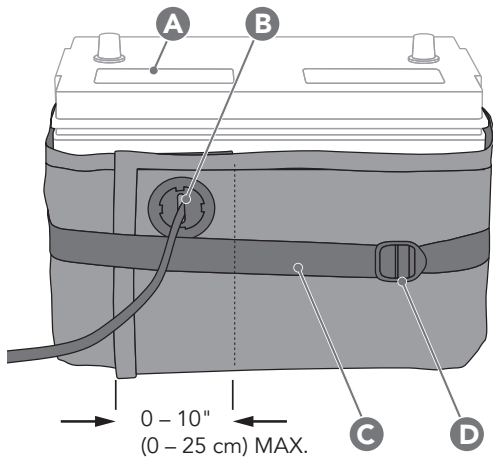


Figure 1. Battery wrap installation, showing battery (A), cord (B), strap (C) and buckle (D). Maximum overlap is 10 inches (25 cm).

INSTALL WRAP

1. Disconnect battery negative terminal and then positive terminal. Remove battery.
2. Clean battery sides. If enclosed, clean battery case or box.
3. Wrap battery as shown in Fig. 2. **NOTICE!** Maximum allowable overlap is 10 inches (25 cm). Wrap should not obstruct cord.

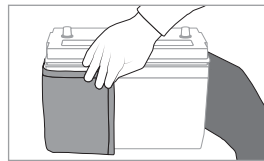


Figure 2. Wrapping battery.

4. Place strap around battery and wrap. Thread strap through buckle as shown. To tighten, double-back strap through buckle and pull tight. Secure excess strap.

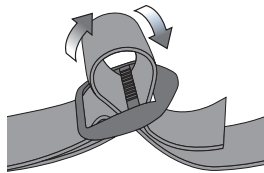


Figure 3. Threading buckle.

5. Connect power cord end to three-pin connector.

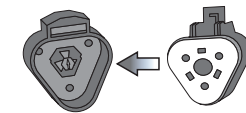


Figure 4. Connecting power cord to three-pin connector.

6. Route and secure cord. Ensure battery does not rest on cord. **NOTICE!** Do not secure cord to hot surfaces or moving parts.
7. Reconnect battery. Connect positive terminal first, then connect negative terminal. Connect wrap to appropriately rated power source.
8. Check wrap and electrical connections for wear or excessive heat every two years of operation.

Corporate & Manufacturing Headquarters
5723 E. Alki Ave
Spokane, WA 99212 USA
509.536.8660
sales@hotstart.com

Oil & Gas Office
21732 Provincial Blvd.
Suite 170
Katy, TX 77450 USA
281.600.3700
oil.gas@hotstart.com

Europe Office
HOTSTART GmbH
Am Turm 86
53721 Siegburg, Germany
+49.2241.12734.0
europe@hotstart.com

Asia Pacific Office
HOTSTART Asia Pacific Ltd.
2-27-15-4F Honkomagome
Bunkyo-ku, Tokyo
113-0021, Japan
+81.3.6902.0551
apac@hotstart.com