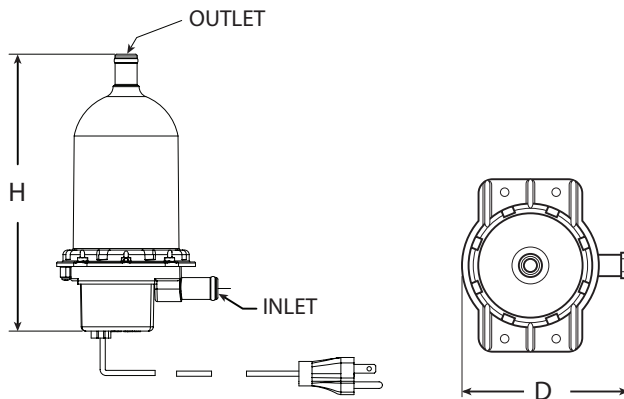


## TPS Tank Style Engine Pre-heater

Simple to install and very lightweight, the HOTSTART TPS engine pre-heater features a built-in thermostat and heats engines up to 12 L displacement. Thermosiphon circulation of the coolant delivers heat throughout the entire engine.



## APPLICATION

The TPS engine pre-heater is designed to pre-heat diesel and gas engines in genset, heavy duty mobile equipment, marine and industrial applications.

## SPECIFICATIONS

- Heating Fluid: Engine coolant
  - Heat Power: 0.5, 1.5, 1.8 and 2 kW\*
  - Voltage Range: 120 and 240 V
  - Fixed Thermostat: 100–120 °F (38–49 °C)
  - Heating Element: Incoloy 800
  - Enclosure: IP41
  - Fluid Capacity: 0.11 gal (0.42 L)
  - Maximum Pressure: 90 psi (620 kPa)
  - Inlet/Outlet Plumbing: 0.625" (15.9 mm)
  - Tank Material: Polyphenylensulfid PPS
- \* 2 kW available at 240 V only

## FEATURES

- UL-C/US listed
- CE compliant
- Various temperature settings available, including adjustable thermostat 90–130 °F (32–54 °C)
- Available with UL 120 or 240 V plug or CE 240 V plug

## DIMENSIONS & WEIGHT

Height (H)	Depth (D)	Weight
7.9"	4.6"	1.7 lbs
200 mm	117 mm	771 g